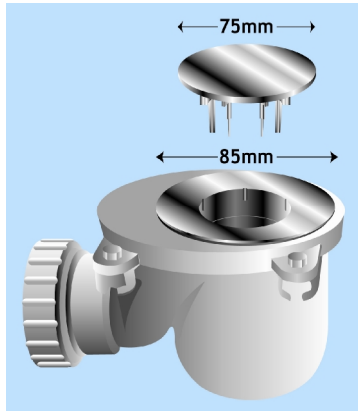


Technical Specification Data Sheet

Product: ZB36015DB Shower Trap 75mm Chrome Dome. 85mm Chrome Flange



Standards:

BS EN 274-1 : 2002

Aprox Weight:

230g

Materials:

Polypropylene, PVC Seals, Chrome ABS

Packaging:

Individual Poly-bag

Fitting Type

For Shower Tray Outlets

Product Specification

- Patent No: 2298661
- Physical Height only 90mm
- 50mm (2") Water Seal trap
- Flow Rate 26L/Min
- Easily removable dome for cleaning and fitting flange on installation
- Chrome plating service condition 2
- Capable of sealing 40mm outlet (1 ½") (BS 5255 current UK bore size) pipe
- 85mm seal flange capable
- Made From Recyclable Materials
- Manufactured in Hereford, England, UK